


8 SERIES: 8.4S K

<http://tiny.cc/8seriesEN>



MAX LIFTING
CAPACITY
1470
kg



ENGINE POWER
37-26
hp



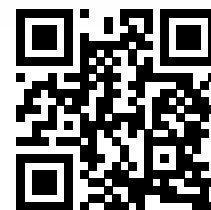
SPEED
26-22
km/h



FLOW RATE
67-52
l/min



LIFT HEIGHT
2,98
m



ACI
ATTACHMENT
CONTROL
INTERFACE

CRUISE
CONTROL

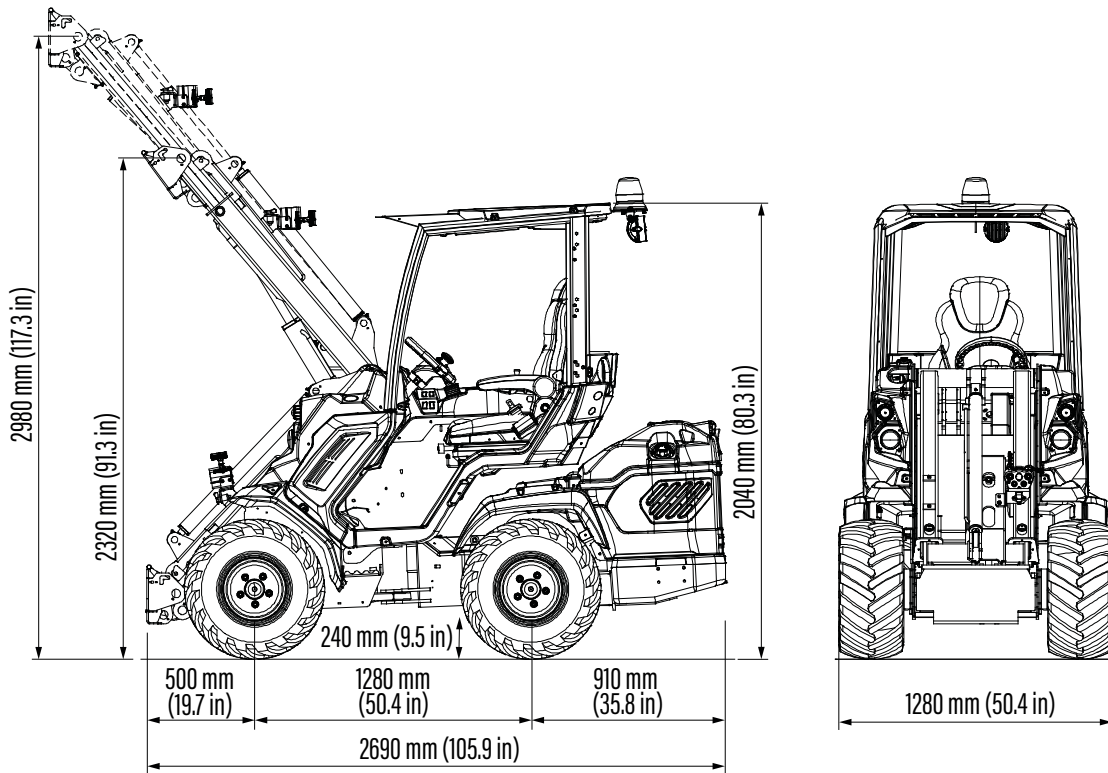
Model	8.4S K STAGE IIIA	8.4S K STAGE V
Engine	Kubota V1505 - 4 cylinder - 1498 cc	
Emission Standards	Stage IIIA	Stage V - TIER 4 Final
Power (Iso Gross) / Torque	37.5 HP / 97 Nm @ 2000 rpm	26 HP / 93 Nm @ 1700 rpm
Fuel	Diesel	
Transmission	Hydrostatic OneDrive	
Drive speed (max.) ⁽¹⁾	13 - 26 km/h (8 - 16 mph)	11 - 22 km/h (6.8 - 13.6 mph)
Aux. hydraulics oil flow	67 l/min (17.7 GPM)	52 l/min (13.7 GPM)
Max. lifting height	2,98 m (117.3 in)	
Tipping load, max. ⁽²⁾	1840 kg (4056 lbs)	
Lifting capacity straight, max. ⁽³⁾	1470 kg (3240 lbs)	
Breakout force / 50 cm	1700 kg (3748 lbs)	
Pushing force (c)	2050 kgf (2050 kp)	
Average ground pressure (w/std tires)	1025 kg/m ² (210 lbs/sqft)	
Turning radius: inside/outside	825/2090 mm (32.5/82.3 in)	
Standard tires (Tractor profile)	26X12.00-12	
Weight	1680 kg (3710 lbs)	
Product Code	C963030	C963035

⁽¹⁾ Maximum speed that can be achieved with the largest diameter tires available, on a flat surface and machine without attachments.

⁽²⁾ Tipping limit, when the machine is straight, with rear weights and boom lifted just off the ground. Weight of attachment included.

⁽³⁾ Maximum load that can be lifted just off the ground when the machine is straight and with rear weights. Weight of attachment is included.

Note: Refer to the Operator's manual for the comprehensive load diagram.



Tires size	Height	Width
23X8.50-12	2020 mm (79.5 in)	1070 mm (42.2 in)
23X10.50-12 ET-25	2020 mm (79.5 in)	1130 mm (44.5 in)
26X12.00-12 ET-50	2040 mm (80.3 in)	1280 mm (50.4 in)
27X8.50-15	2080 mm (81.9 in)	1070 mm (42.1 in)
27X10.50-15	2080 mm (81.9 in)	1150 mm (45.3 in)

FEATURES

- Kubota V1505, 4 cylinder, diesel engine, water cooled, electric start, glow plug
- Stage IIIA 37.5 HP or STAGE V 26 HP engine
- **OneDrive System:** DBS (Dynamic Block System), Cruise Control and Torque Divider activated by Joystick
- ACI with Multi-functions joystick (16 functions)
- Unbreakable Body Panels
- 2 Speed
- Hydraulically pilot operated variable displacement drive pump
- Self-locking multi-disk parking brake
- Hi-Flow system
- Integrated rear weights
- Self-levelling double-H telescopic boom
- Radial Piston high efficiency and heavy duty wheel motors
- 4WD hydrostatic Direct Drive motors, proportional servo control
- Hydraulic oil cooler
- Hydraulic multiconnector
- ROPS-FOPS Level I
- LCD graphic display with programmed service
- 2 front working light
- Ergonomic fully adjustable suspension heated seat with armrests and seat belt