



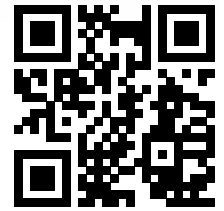


6 SERIES: 6.3+ K

<http://tiny.cc/6seriesEN>

| | | | | |
|--|--|--|--|--|
|  MAX LIFTING CAPACITY 1120 kg |  ENGINE POWER 25 hp |  SPEED 9 km/h |  FLOW RATE 50 l/min |  LIFT HEIGHT 2,92 m |
|--|--|--|--|--|



ACI
ATTACHMENT
CONTROL
INTERFACE



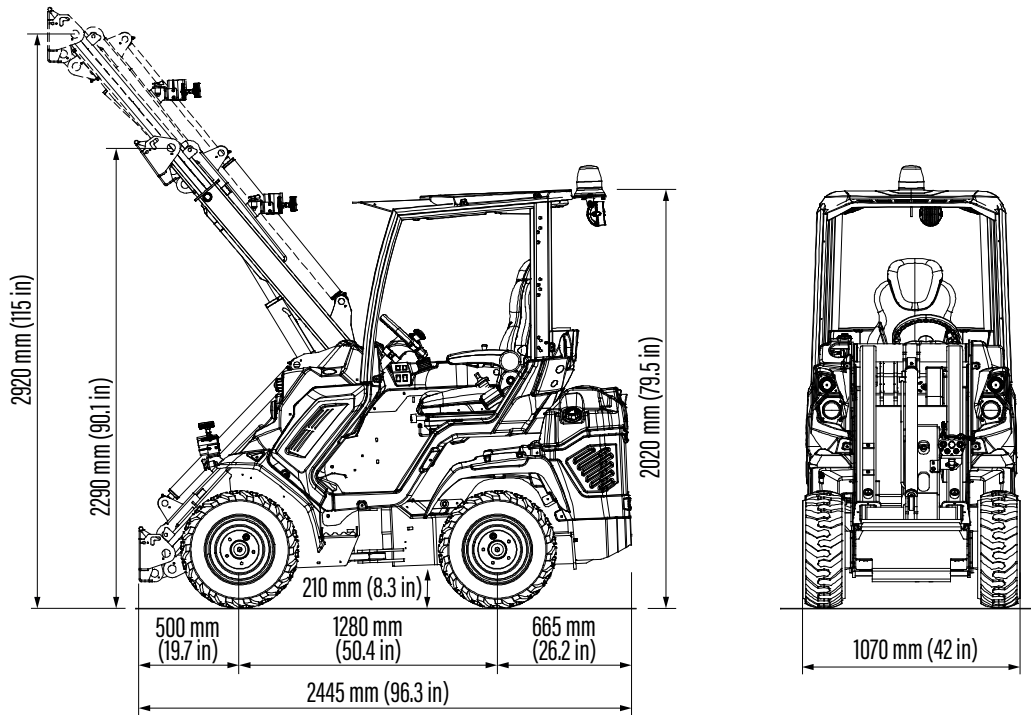
| Model | 6.3+ K |
|--|---------------------------------------|
| Engine | Kubota D1305 - 3 cylinder - 1261 cc. |
| Emission Standard | Stage V and Tier 4 Final |
| Power (Iso Gross) / Torque | 25 HP / 85 Nm @ 1700 rpm |
| Fuel | Diesel |
| Transmission | Hydrostatic |
| Drive speed (max.) ⁽¹⁾ | 9 km/h (5.6 mph) |
| Aux. hydraulics oil flow | 50 l/min (13.2 GPM) |
| Max. lifting height | 2,92 m (115 in) |
| Tipping load, max. ⁽²⁾ | 1400 kg (3086 lbs) |
| Lifting capacity straight, max. ⁽³⁾ | 1120 kg (2469 lbs) |
| Breakout force / 50 cm | 1400 kg (3086 lbs) |
| Pushing force (c) | 1690 kgf (1690 kp) |
| Average ground pressure (w/standard tires) | 1022 kg/m ² (209 lbs/sqft) |
| Turning radius: inside/outside | 905/2020 mm (35.6/79.5 in) |
| Standard tires (Tractor profile) | 23X8.50-12 |
| Weight | 1400 kg (3090 lbs) |
| Product Code | C961015 |

⁽¹⁾ Maximum speed that can be achieved with the largest diameter tires available, on a flat surface and machine without attachments.

⁽²⁾ Tipping limit, when the machine is straight, with rear weights and boom lifted just off the ground. Weight of attachment included.

⁽³⁾ Maximum load that can be lifted just off the ground when the machine is straight and with rear weights. Weight of attachment is included.

Note: Refer to the Operator's manual for the comprehensive load diagram.



| Tires size | Height | Width |
|-------------------|-------------------|-------------------|
| 23X8.50-12 | 2020 mm (79.5 in) | 1070 mm (42 in) |
| 23X10.50-12 ET-25 | 2020 mm (79.5 in) | 1130 mm (44.5 in) |
| 26X12.00-12 ET-50 | 2040 mm (80.3 in) | 1300 mm (51.2 in) |
| 27X8.50-15 | 2080 mm (81.9 in) | 1070 mm (42 in) |
| 27X10.50-15 | 2080 mm (81.9 in) | 1150 mm (45.3 in) |

FEATURES

- Kubota D1305 (25 HP), big block, 3 cylinder, diesel engine, water cooled, electric start, glow plug
- Stage V and Tier 4 Final compliant engine
- Unbreakable Body Panels
- Hi-Flow system
- DBS (Dynamic Block System)
- ACI with Multi-functions joystick (16 functions)
- Hydraulically pilot operated variable displacement drive pump
- Self-levelling double-H telescopic boom
- Self-locking multi-disk parking brake
- Hydraulic oil cooler
- Hydraulic multiconnector
- Radial Piston high efficiency and heavy duty wheel motors
- 4WD hydrostatic Direct Drive motors, proportional servo control
- ROPS-FOPS Level I
- LCD graphic display with programmed service
- 2 front working light
- Ergonomic full adjustable suspension seated heated seat with armrests and seat belt